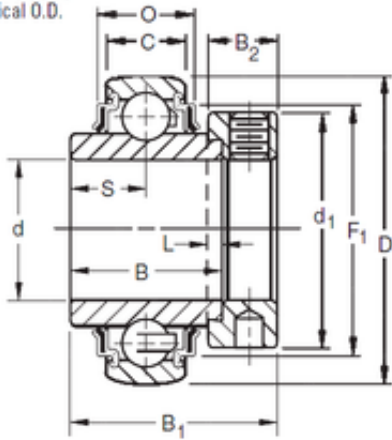




For Rexroth INC

KRRB Two Seals
Spherical O.D.



Bearing 2D drawings and 3D CAD models

A2F Series Plunger Rexroth Axial Hydraulics Piston Pump Motor A2F55

Bearing No.

Size	57.15x110x61.91 mm
Bore Diameter	57,15 mm
Outer Diameter	110 mm
Width	61,91 mm
d	57,15 mm
D	110 mm
B	61,91 mm
C	22 mm
P	26,01 mm
O	30,02 mm
d ₁	84,1 mm
B ₁	77,8 mm
B ₂	22,2 mm
L	6,4 mm
S	31 mm
F ₁	94,89 mm
Weight	1,715 Kg
Basic dynamic load rating (C)	58,5 kN